



GraderStick™

Add-On Joystick Controls
For
Motor Graders

Design

- Add-On system leaves mechanical controls in-place and fully functional.
- 8-9 Functions in one joystick.
- Installs in less than 8 hours.
- Awarded "Top New Products of 2002" by Better Roads magazine

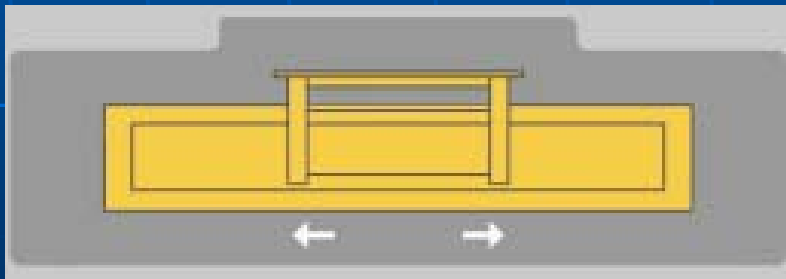
Components

- Joystick handle
- Electronic processor
- Electro-hydraulic valve assembly
- Hose kit
- Wiring harness



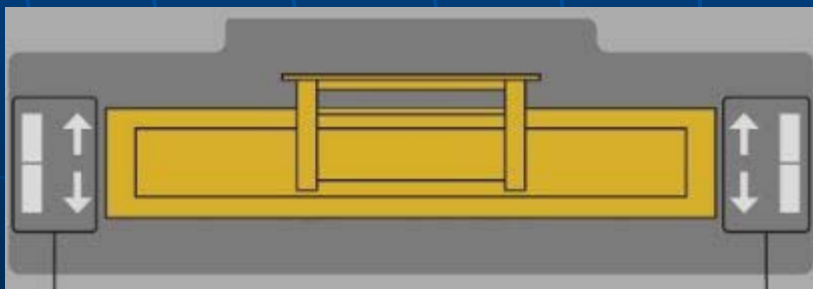
Joystick X-Axis

- X-Axis (Right-Left) controls right-left movement of blade (blade side-shift).



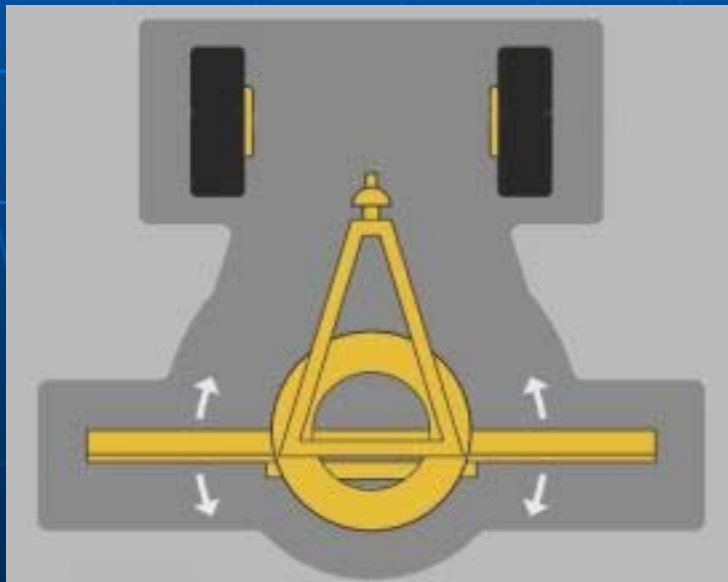
Joystick Y-Axis

- Y-Axis (Fwd-Back) controls raise-lower of entire turntable assembly giving operator straight up-down control.

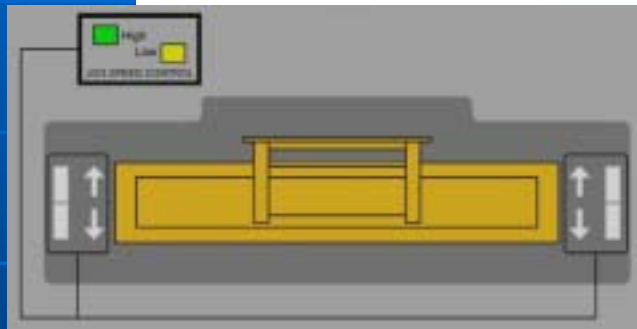


Joystick Z-Axis

- Z-Axis (Rotation of Handle) controls circle rotate.



Blade Lift Control

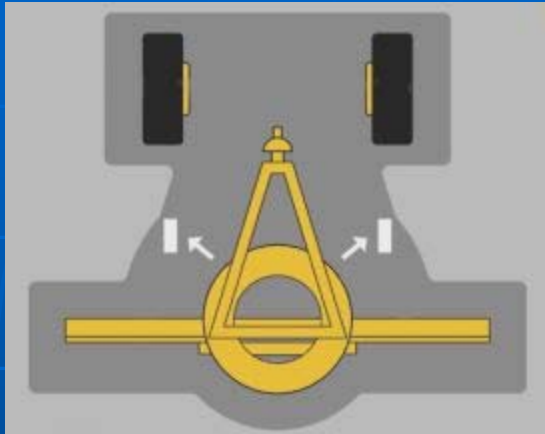


**Left
Blade,
Raise/
Lower**



**Right
Blade,
Raise/
Lower**

Circle Side-Shift & Blade Tilt



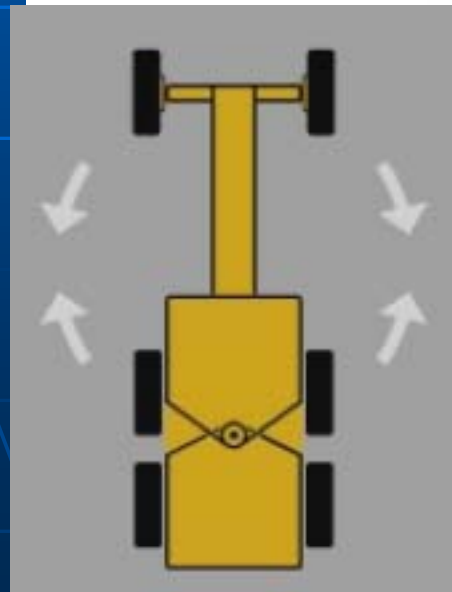
Left/Right =
Circle Side-Shift



Fwd/Back =
Blade Tilt



Wheel Lean & Rear Steer

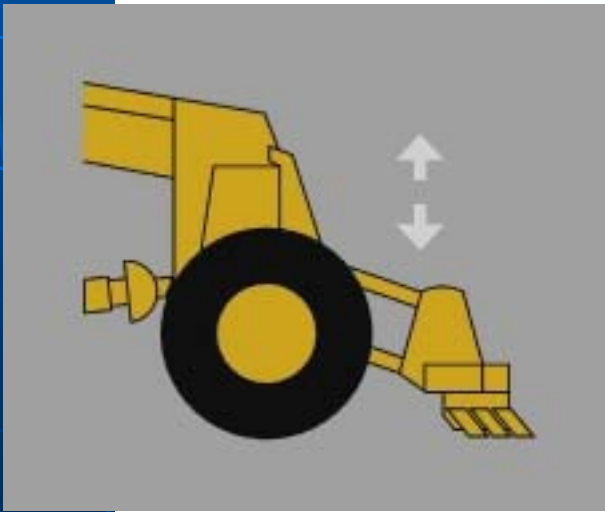


Front Wheel
Lean

Rear Steer
(Articulation)

Scarifier (Ninth Function)

Raise/Lower =
Scarifier or Ripper



System Control ON-OFF



Joystick Mounting



GraderStick™

- Single-hand control of nine motor grader functions.
- Speeds operator training.
- Reduces operator fatigue.
- Improves operator efficiency.

